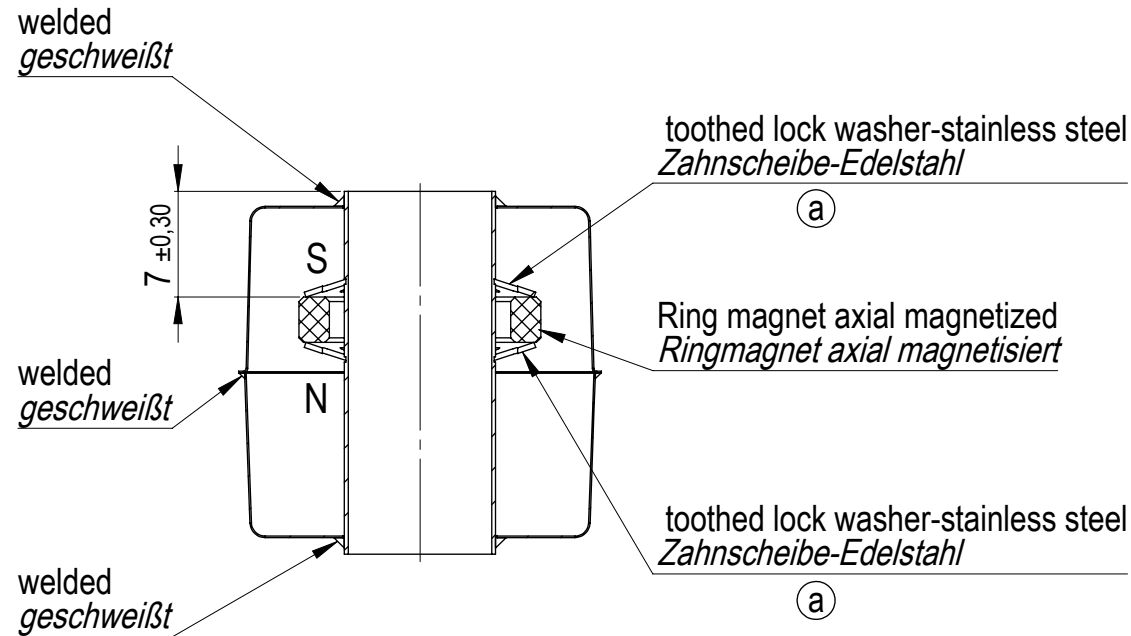
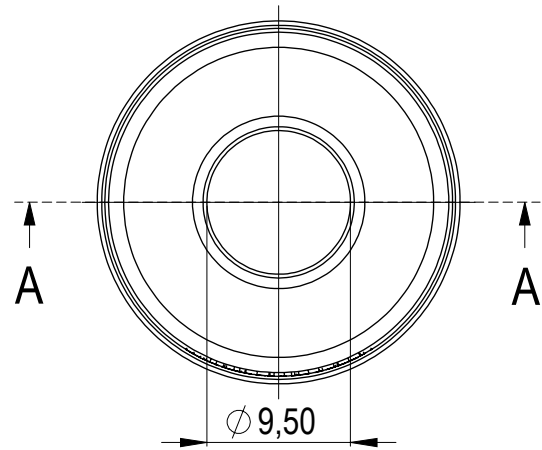
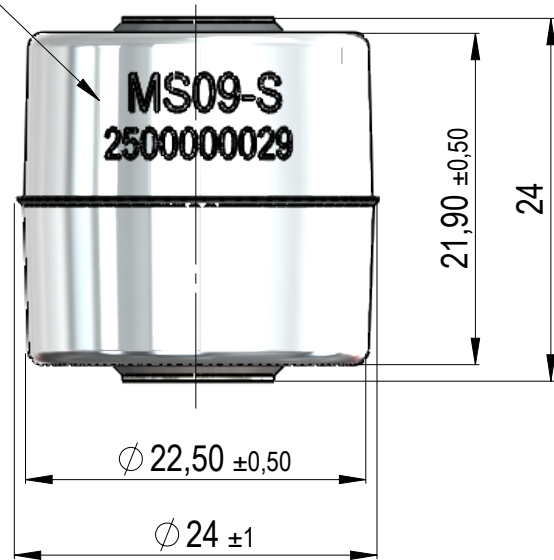
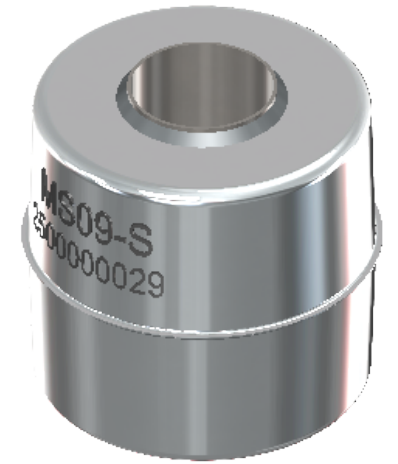


Type and p/n of the float mark also the position of magnet in the float
 Typ und Artikelnummer des Schwimmers markieren auch die Magnetposition im Schwimmer

marking applied by LASER process
 Markierung durch LASER-Verfahren angebracht



A-A



Float				
Material	Stainless steel AISI 316L (V4A)			
Colour	metallic polish			
Density (delivery status)	N/A			g/cm ³
Magnet				
Type	Ring magnet			
Material	Hard ferrite C1			
Density typ.	N/A			g/cm ³
Article.No	4003004149			
Magnetic moment (MS150)	Min.	Typ.	Max.	
	4,6	5,2	5,8	µVs*cm
	Floatingmagnet			
Remarks	axial magnetized			
Protection class	N/A			
Overall weight	Min.	Typ.	Max.	
	6,2	6,6	7	g
	Overall density	N/A		g/cm ³
Recommendation for min. density of the used medium: Overall density of the Floatmagnet +20%				

Application		Tolerance DIN ISO 2768-m	Surface	Scale: 2:1	Weight:	
				Material: ---		
		created: 04.09.2012	omueller	MS09-S		
		checked:				
		Sheet size: A3				
		dimensions in: mm				
				Art.Nr./DrawingNr. 2500000029		
	a	descrip. and materia of toothed washer added (stainless steel)	07.10.2016	w.k.	<small>PROPRIETARY AND CONFIDENTIAL THE INFORMATION CONTAINED IN THIS DRAWING IS THE SOLE PROPERTY OF StandexMeder Electronics GmbH. ANY REPRODUCTION IN PART OR AS A WHOLE WITHOUT THE WRITTEN PERMISSION OF StandexMeder Electronics GmbH IS PROHIBITED.</small>	
01		issued in swx, previous versions archived in Navision	07.10.2016	w.k.		
Rev.	state	change	date	name		
			StandexMeder Electronics GmbH Robert-Bosch-Str.4 78224 Singen Tel.: +49(0)7731/8399-0 Fax: +49(0)7731/8399-30		Tool Nr. www.standexmeder.com	page 1 of 1