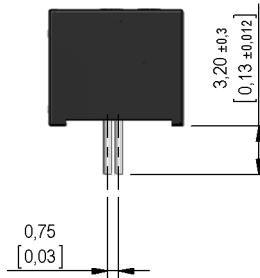
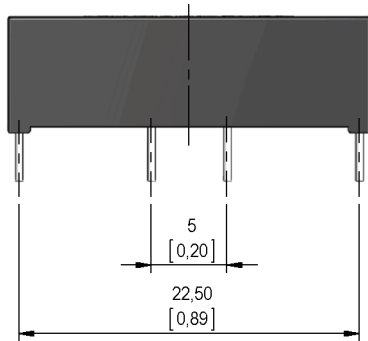


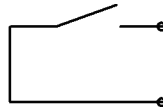
Dimensions mm[inch]
tolerances acc. to DIN ISO 2768-m
Toleranzen gem. DIN ISO 2768-m

Isometric

Scale 1:1
Maßstab 1:1



Schematic

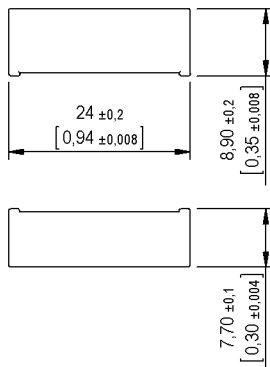


Marking

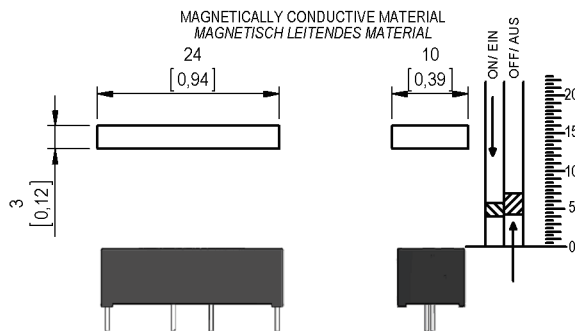
according to EN60062/factory code
gem. EN60062/Fertigungsstätte



Housing



Switching distances





Europe: +49 / 7731 8399 0

| Email: info@standexmeder.com

Item No.:

USA: +1 / 508 295 0771

| Email: salesusa@standexmeder.com

2226000000

Asia: +852 / 2955 1682

| Email: salesasia@standexmeder.com

Item:

MK02/6-1

Magnetic properties	Conditions	Min	Typ	Max	Unit
Pull in	at 20°C	3,5		5,5	mm
Drop out	at 20°C	3,7		7	mm
Test equipment				SV 041	

Special Product Data	Conditions	Min	Typ	Max	Unit
Contact - No.				80	
Contact - form				A - NO	
Contact rating	Any DC combination of V & A not to exceed their individual max.'s			10	W
operating voltage	DC or Peak AC			170	V
operating ampere	DC or Peak AC			0,5	A
Switching current	DC or Peak AC			0,5	A
Housing material				PBT 30% glass fibre reinforced	
Case color				black	
Sealing compound				Polyurethan	

Environmental data	Conditions	Min	Typ	Max	Unit
Ambient temperature		-20		80	°C
Storage temperature		-20		80	°C
Shock	1/2 sine wave duration 11ms			50	g
Vibration	from 10 - 2000 Hz			20	g

Modifications in the sense of technical progress are reserved

Designed at: 04.12.07 Designed by:

Approval at: 06.12.07 Approval by:

Last Change at: 29.10.12 Last Change by: NMIHAI

Approval at: 24.04.13 Approval by: AWEBER

Rev. No.: 04