

Reed Technology for Windshield Washer Level Sensing



Contact Information:

Standex-Meder Electronics
World Headquarters
4538 Camberwell Road
Cincinnati, OH 45209 USA

Standex Americas (OH)
+1.866.STANDEX
(+1.866.782.6339)
info@standexelectronics.com

Meder Americas (MA)
+1.800.870.5385
salesusa@standexmeder.com

Standex-Meder Asia (Shanghai)
+86.21.37606000
salesasia@standexmeder.com

Standex-Meder Europe (Germany)
+49.7731.8399.0
info@standexmeder.com

- Level sensors operate with a magnet, which is incorporated into a float. Thus, the magnet is isolated from the reed switch, which is mounted on a board usually in the sensor stem.
- The reed level sensors have the ability to directly switch incandescent and LED indicators and/ or send the signals to a non-board computer.



Features:

- Hermetically sealed
- Minimal space required
- Corrosion resistant
- Good implementation
- Invisible
- Cost effective solution
- Dynamically tested contacts
- Reliable switching



Fluid Level Detection of window washer fluid

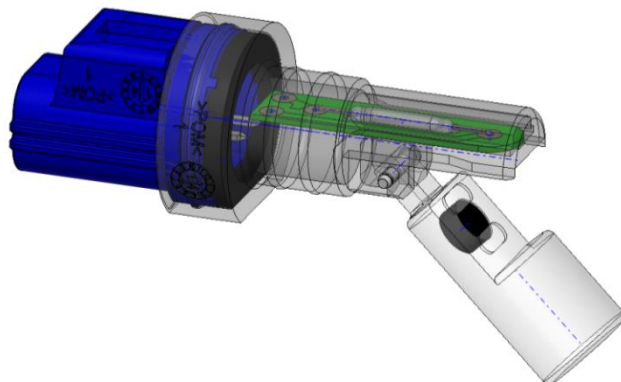
More and more level sensing of window washer fluid is controlled by Reed Sensors.

A float, with a magnet mounted in it, is generally placed in the container. The Reed Switch is placed either inside or under the container for float detection.

In the past, automotive manufacturers used the Reed Switch in the window washer fluid application in the following manner: when the container is full the float opens the Reed Switch. When the liquid level drops, the float goes down and activates the Reed Switch. A lamp is then activated on the dashboard.

Nowadays, automotive manufacturers use the Reed Switch in reverse order. When the container is full, the magnetic float, actuates and closes the Reed Switch. When the level of the float drops, the Reed Switch opens.

The change in monitoring the opening instead of the closure has the advantage in that a malfunction of the switch can be detected much easier.



Standard Fluid Level Sensors – R12449 and R12544 Series

Features

- For blow or injection molded bottles
- Side mount design uses separate seal grommet
- Form A (normally open) and Form B (normally closed) operation
- Switch rated 0.5A/100V/10VA max



LS 100



R12456



R12518



R12544

Customized Level Sensors



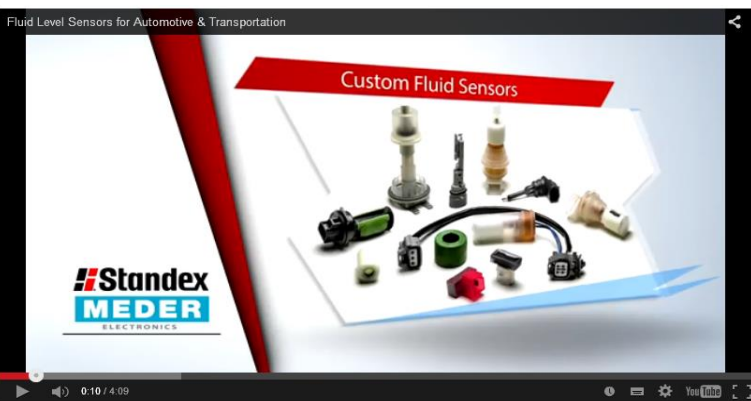
A customized sensors solution allows us to consider the needs and desires of our customers to develop and produce custom innovations, with the highest quality requirements. Sensors from Standex-Meder are characterized by high-reliability, zero power consumption, non-contact switching and are hermetically sealed in a robust and shielded housing.

Standex-Meder engineers are available to discuss your requirements to find the best solution for your application. Send us an e-mail at info@standexmeder.com to discuss your needs today!

Level Sensors and
Floats



Find out more about Standex-Meder Electronics' Level Sensors



Standex-Meder solved an automotive customer's problem and delivered a custom, fast design and quick turn molded liquid level sensor solution that fit the exacting needs for space and performance. Fluid level sensors can be found in automotive applications from washer bottle fluid to engine coolant sensor applications.

Link:

<https://standexelectronics.com/resources/technical-library/videos/fluid-level-sensors-for-automotive-transportation/>

PTM – Product Training Module

Learn more about Level Sensors for
Automotive Applications.



Watch our Product Training
Module and learn more about
["Automotive Liquid Level Sensing"](#)

<https://standexelectronics.com/resources/technical-library/product-training/automotive-liquid-level-sensing-2/>