

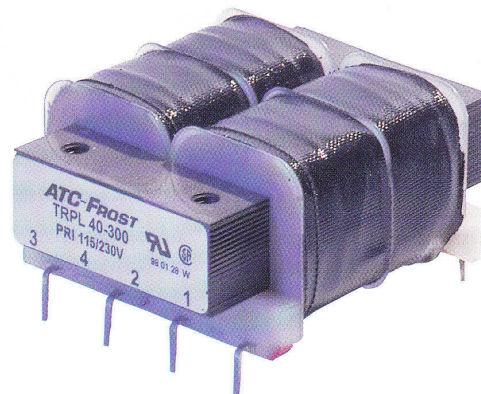
TRPL Series

Printed Circuit Mounting - Low Profile

Low Profile Transformers

Features:

- Low Profile allows P.C. card spacing as follows:
 - .75" spacing for 2.5 VA (units 0.65" high)
 - 1.00" spacing for 6VA (units 0.85" high)
 - 1.25" spacing for 12VA (units 1.07" high)
 - 1.50" spacing for 24VA (units 1.25" high)
 - 1.63" spacing for 48VA (units 1.38" high)
- Industry standard P.C. pin layout.
- No electro-static shield required due to separated windings.
- Low inter-winding capacitance due to separated windings.
- Low radiated magnetic field and balanced windings.
- Dual primaries 115/230V, 50/60Hz.
- Dielectric tested to UL/CSA standards.
- CSA certified LR16597. UL recognized E105782.
- Ideal for solid state control and instrumentation as well as single or dual output D.C. supplies.
- Class B-130°C Insulation system.

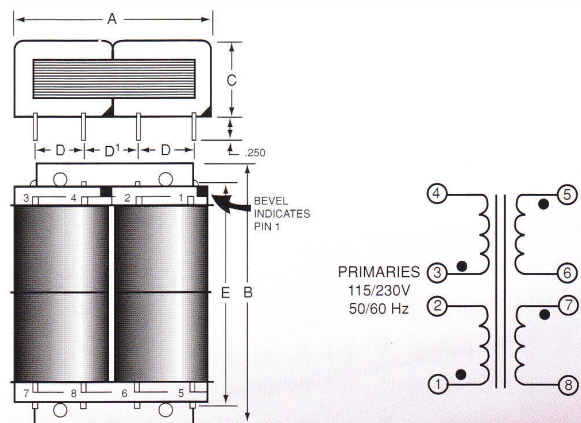


115/230 Volt 50/60Hz Primary



Cat. No.	Size	Secondary	
		Series	Parallel
TRPL 10-250	2	10VCT @ 250mA	5V @ 500mA
TRPL 10-600	6	10VCT @ 600mA	5V @ 1200mA
TRPL 10-1200	12	10VCT @ 1200mA	5V @ 2400mA
TRPL 10-2400	24	10VCT @ 2400mA	5V @ 4800mA
TRPL 10-4800	48	10VCT @ 4800mA	5V @ 9600mA
TRPL 12-200	2	12.6VCT @ 200mA	6.3V @ 400mA
TRPL 12-475	6	12.6VCT @ 475mA	6.3V @ 950mA
TRPL 12-950	12	12.6VCT @ 950mA	6.3V @ 1900mA
TRPL 12-1900	24	12.6VCT @ 1900mA	6.3V @ 3800mA
TRPL 12-3800	48	12.6VCT @ 3800mA	6.3V @ 7600mA
TRPL 16-150	2	16VCT @ 150mA	8V @ 300mA
TRPL 16-375	6	16VCT @ 375mA	8V @ 750mA
TRPL 16-750	12	16VCT @ 750mA	8V @ 1500mA
TRPL 16-1500	24	16VCT @ 1500mA	8V @ 3000mA
TRPL 16-3000	48	16VCT @ 3000mA	8V @ 6000mA
TRPL 20-125	2	20VCT @ 125mA	10V @ 250mA
TRPL 20-300	6	20VCT @ 300mA	10V @ 600mA
TRPL 20-600	12	20VCT @ 600mA	10V @ 1200mA
TRPL 20-1200	24	20VCT @ 1200mA	10V @ 2400mA
TRPL 20-2400	48	20VCT @ 2400mA	10V @ 4800mA
TRPL 24-100	2	24VCT @ 100mA	12V @ 200mA
TRPL 24-250	6	24VCT @ 250mA	12V @ 500mA
TRPL 24-500	12	24VCT @ 500mA	12V @ 1000mA
TRPL 24-1000	24	24VCT @ 1000mA	12V @ 2000mA
TRPL 24-2000	48	24VCT @ 2000mA	12V @ 4000mA
TRPL 30-85	2	30VCT @ 85mA	15V @ 170mA
TRPL 30-200	6	30VCT @ 200mA	15V @ 400mA
TRPL 30-400	12	30VCT @ 400mA	15V @ 800mA
TRPL 30-800	24	30VCT @ 800mA	15V @ 1600mA
TRPL 30-1600	48	30VCT @ 1600mA	15V @ 3200mA
TRPL 34-75	2	34VCT @ 75mA	17V @ 150mA
TRPL 34-175	6	34VCT @ 175mA	17V @ 350mA
TRPL 34-350	12	34VCT @ 350mA	17V @ 700mA
TRPL 34-700	24	34VCT @ 700mA	17V @ 1400mA
TRPL 34-1400	48	34VCT @ 1400mA	17V @ 2800mA
TRPL 40-60	2	40VCT @ 60mA	20V @ 120mA
TRPL 40-150	6	40VCT @ 150mA	20V @ 300mA
TRPL 40-300	12	40VCT @ 300mA	20V @ 600mA
TRPL 40-600	24	40VCT @ 600mA	20V @ 1200mA
TRPL 40-1200	48	40VCT @ 1200mA	20V @ 2400mA
TRPL 56-45	2	56VCT @ 45mA	28V @ 90mA
TRPL 56-100	6	56VCT @ 100mA	28V @ 200mA
TRPL 56-210	12	56VCT @ 210mA	28V @ 420mA
TRPL 56-425	24	56VCT @ 425mA	28V @ 850mA
TRPL 56-850	48	56VCT @ 850mA	28V @ 1700mA

Cat. No.	Size	Secondary	
		Series	Parallel
TRPL 88-28	2	88VCT @ 28mA	44V @ 56mA
TRPL 88-65	6	88VCT @ 65mA	44V @ 130mA
TRPL 88-135	12	88VCT @ 135mA	44V @ 270mA
TRPL 120-20	2	120VCT @ 20mA	60V @ 40mA
TRPL 120-50	6	120VCT @ 50mA	60V @ 100mA
TRPL 120-100	12	120VCT @ 100mA	60V @ 200mA
TRPL 230-10	2	230VCT @ 10mA	115V @ 20mA
TRPL 230-25	6	230VCT @ 25mA	115V @ 50mA
TRPL 230-50	12	230VCT @ 50mA	115V @ 100mA



Size	Dimensions (inches)						Wt. lb.
	A	B	C	D	D1	E	
2	1.56	1.88	0.65	0.38	0.38	1.60	0.32
6	1.56	1.88	0.85	0.38	0.38	1.60	0.44
12	2.00	2.50	1.07	0.50	0.50	2.00	0.69
24	2.25	2.87	1.25	0.60	0.53	1.90	0.94
48	2.50	3.12	1.38	0.60	0.66	2.18	1.31