

TRPI Series

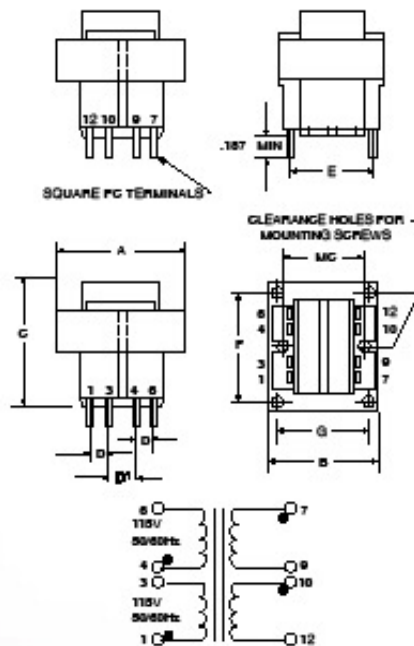
Printed Circuit Mounting - International

Low Voltage Rectifier Transformers



Features:

- CSA/UL recognized.
- Designed to meet international standards.
- Industry standard P.C. board layout.
- Dual primary, dual secondary windings for series/parallel operation.
- 4000VRMS isolation primary to secondary.
- Six sizes from 2.5VA to 56VA.
- Class B-130°C Insulation system.
- LR16597, E105782.
- Bobbins are UL 94VO rated.



115/230 Volt 50/60Hz Primary



Cat. No.	VA (Size)	Secondary RMS Rating	
		Series	Parallel
TRP 2.5-10	2.5	10VCT @ 0.25A	5V @ 0.5A
TRP 5.0-10	5	10VCT @ 0.5A	5V @ 1.0A
TRP 10-10	10	10VCT @ 1.0A	5V @ 2.0A
TRP 20-10	20	10VCT @ 2.0A	5V @ 4.0A
TRP 30-10	30	10VCT @ 3.0A	5V @ 6.0A
TRP 56-10	56	10VCT @ 5.6A	5V @ 11.2A
TRP 2.5-12	2.5	12.6VCT @ 0.2A	6.3V @ 0.4A
TRP 5.0-12	5	12.6VCT @ 0.4A	6.3V @ 0.8A
TRP 10-12	10	12.6VCT @ 0.8A	6.3V @ 1.6A
TRP 20-12	20	12.6VCT @ 1.6A	6.3V @ 3.2A
TRP 30-12	30	12.6VCT @ 2.4A	6.3V @ 4.8A
TRP 56-12	56	12.6VCT @ 4.4A	6.3V @ 8.8A
TRP 2.5-16	2.5	16VCT @ 0.15A	8V @ 0.3A
TRP 5.0-16	5	16VCT @ 0.31A	8V @ 0.62A
TRP 10-16	10	16VCT @ 0.62A	8V @ 1.25A
TRP 20-16	20	16VCT @ 1.25A	8V @ 2.5A
TRP 30-16	30	16VCT @ 1.9A	8V @ 3.8A
TRP 56-16	56	16VCT @ 3.5A	8V @ 7.0A
TRP 2.5-20	2.5	20VCT @ 0.12A	10V @ 0.24A
TRP 5.0-20	5	20VCT @ 0.25A	10V @ 0.5A
TRP 10-20	10	20VCT @ 0.5A	10V @ 1.0A
TRP 20-20	20	20VCT @ 1.0A	10V @ 2.0A
TRP 30-20	30	20VCT @ 1.5A	10V @ 3.0A
TRP 56-20	56	20VCT @ 2.8A	10V @ 5.6A
TRP 2.5-24	2.5	24VCT @ 0.1A	12V @ 0.2A
TRP 5.0-24	5	24VCT @ 0.21A	12V @ 0.42A
TRP 10-24	10	24VCT @ 0.42A	12V @ 0.84A
TRP 20-24	20	24VCT @ 0.82A	12V @ 1.64A
TRP 30-24	30	24VCT @ 1.25A	12V @ 2.5A
TRP 56-24	56	24VCT @ 2.33A	12V @ 4.66A
TRP 2.5-28	2.5	28VCT @ 0.08A	14V @ 0.16A
TRP 5.0-28	5	28VCT @ 0.16A	14V @ 0.36A
TRP 10-28	10	28VCT @ 0.36A	14V @ 0.72A
TRP 20-28	20	28VCT @ 0.72A	14V @ 1.44A
TRP 30-28	30	28VCT @ 1.06A	14V @ 2.12A
TRP 56-28	56	28VCT @ 2.0A	14V @ 4.0A
TRP 2.5-36	2.5	36VCT @ 0.07A	18V @ 0.14A
TRP 5.0-36	5	36VCT @ 0.14A	18V @ 0.28A
TRP 10-36	10	36VCT @ 0.28A	18V @ 0.56A
TRP 20-36	20	36VCT @ 0.56A	18V @ 1.12A
TRP 30-36	30	36VCT @ 0.82A	18V @ 1.64A
TRP 56-36	56	36VCT @ 1.56A	18V @ 3.12A

VA	A	B	C	D	D1	E
2.5	1.63	1.31	1.13	.20	.25	1.00
5.0	1.63	1.31	1.38	.20	.40	1.00
10.0	1.88	1.56	1.38	.20	.40	1.14
20.0	2.25	1.88	1.63	.40	.40	1.46
30.0	2.63	2.19	1.96	.56	.28	1.68
56.0	3.00	2.50	1.81	.60	.30	1.90

VA	F	G	MC	PN	MITG.	Lbs.
2.5	-	-	1.062	.025 SQ	#4	0.25
5.0	-	-	1.062	.025 SQ	#4	0.37
10.0	-	-	1.250	.028 SQ	#4	0.53
20.0	-	-	1.500	.038 SQ	#4	0.90
30.0	2.19	1.75	-	.045 SQ	#6	1.15
56.0	2.50	2.00	-	.045 SQ	#6	1.70