

TRB-TRE Series

Bracket and Enclosed Mounting Styles

Low Voltage Rectifier Transformers

Features:

- Many popular ratings to choose from.
- New size reduced (SR) or classic designs.
- CSA certified LR16597. UL recognized E105782.
- 10" TEW primary and secondary leads.
- All secondaries are centre tapped.
- Dielectric tested to UL/CSA standards.
- Contact the factory for dimensions.



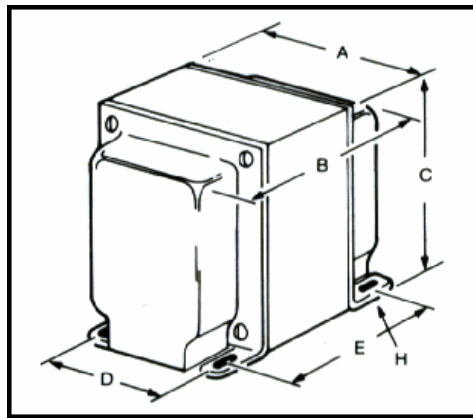
Bracket TRB Series

All models 115 Volt 60Hz



OPEN BRACKET TRB

Cat. No.	Full Load Secondary
TRB 3Z	3VCT @ 50A
TRB 5R	5VCT @ 8A
TRB 5S	5VCT @ 10A
TRB 5U	5VCT @ 15A
TRB 5V	5VCT @ 20A
TRB 5X	5VCT @ 30A
TRB 6Q	6.3VCT @ 6A
TRB 6S	6.3VCT @ 10A
TRB 7U	7.5VCT @ 15A
TRB 7V	7.5VCT @ 21A
TRB 10N	10VCT @ 4A
TRB 10P	10VCT @ 5A
TRB 10R	10VCT @ 8A
TRB 10S	10VCT @ 10A
TRB 10V	10VCT @ 20A
TRB 11P	11VCT @ 5A
TRB 11S	11VCT @ 10A
TRB 11U	11VCT @ 15A
TRB 12N	12.6VCT @ 4A
TRB 12Q	12.6VCT @ 6A
TRB 12R	12.6VCT @ 8A
TRB 12S	12.6VCT @ 10A
TRB 12V	12.6VCT @ 20A
TRB 14Q	14VCT @ 6A
TRB 18M	18VCT @ 3A
TRB 18P	18VCT @ 5A
TRB 18S	18VCT @ 10A
TRB 18U	18VCT @ 15A
TRB 18V	18VCT @ 20A
TRB 22T	22VCT @ 12A
TRB 22V	22VCT @ 20A
TRB 25M	25VCT @ 3A
TRB 25P	25VCT @ 5A
TRB 25S	25VCT @ 10A
TRB 28L	28VCT @ 2A
TRB 30P	30VCT @ 5A
TRB 30S	30VCT @ 10A
TRB 42L	42VCT @ 2A
TRB 50L	50VCT @ 2A
TRB 60P	60VCT @ 5A
TRB 80N	80VCT @ 4A



SIZE	DIMENSIONS (inches)					Mtg. Slot
	A	B	C	D	E	
E1	2.50	2.13	3.00	2.00	1.25	.375 x .20
E2	2.50	2.38	3.00	2.00	1.50	.375 x .20
E3	2.50	2.63	3.00	2.00	1.75	.375 x .20
E4	2.50	2.88	3.00	2.00	2.00	.375 x .20
E5	2.50	3.13	3.00	2.00	2.25	.375 x .20
E6	2.50	3.38	3.00	2.00	2.50	.375 x .20
E7	2.50	3.63	3.00	2.00	2.75	.375 x .20
E8	3.13	3.45	3.81	2.50	2.25	.375 x .20
E9	3.13	3.70	3.81	2.50	2.50	.375 x .20
E10	3.13	3.95	3.81	2.50	2.75	.375 x .20
E11	3.13	4.20	3.81	2.50	3.00	.375 x .20
E12	3.13	4.45	3.81	2.50	3.25	.375 x .20
E15	3.75	4.00	4.56	3.00	2.75	.375 x .20
E16	3.75	4.25	4.56	3.00	3.00	.375 x .20
E17	3.75	4.50	4.56	3.00	3.25	.375 x .20
E18	3.75	4.75	4.56	3.00	3.50	.375 x .20
E19	3.75	5.00	4.56	3.00	3.75	.375 x .20
E20	3.75	5.25	4.56	3.00	4.00	.375 x .20
E21	3.75	5.50	4.56	3.00	4.25	.375 x .20
E22	3.75	5.75	4.56	3.00	4.50	.375 x .20