

TCC-TCK Series

Channel Mounting

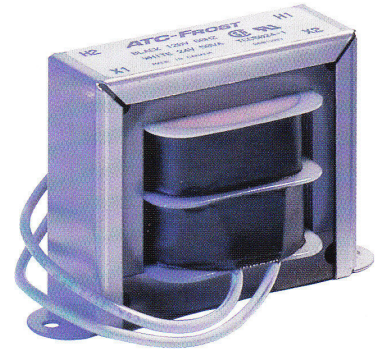
Control Circuit Power Transformers

Application:

Designed as the most economical transformer style to provide voltage changes from distribution to control levels, and have isolated primary and secondary windings.

Features:

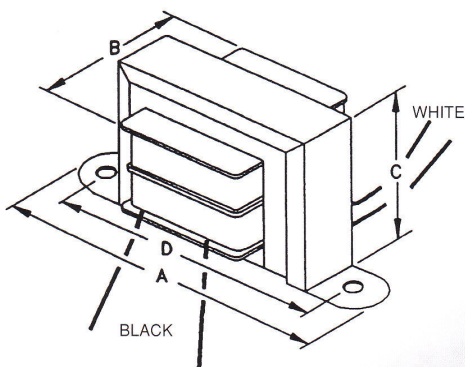
- Economical channel frame mounting to 100VA.
- Convenient, nipple mounted TCK models available.
- CSA/UL recognized. LR16597, E105782.
- Classic sized VA ratings plus many size reduced (SR) models to choose from.
- Class B -130°C Insulation system utilized.
- Fully dielectric tested to UL/CSA standards.
- Custom terminations available. 8"-10" flexible leads are standard.



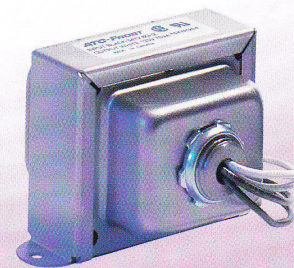
TCC Series Models - Economical Channel Mtg. with Leads



Primary Volts	Sec. Volts	Size Reduced 25VA (SR)	25VA	Size Reduced 50VA (SR)	50VA	75VA	100VA
120	24	TCC2524-1 SR	TCC2524-1	TCC5024-1 SR	TCC5024-1	TCC7524-1	TCC10024-1
	120	TCC25120-1 SR	TCC25120-1	TCC50120-1 SR	TCC50120-1	TCC75120-1	TCC100120-1
208	24	TCC2524-2 SR	TCC2524-2	TCC5024-2 SR	TCC5024-2	TCC7524-2	TCC10024-2
	120	TCC25120-2 SR	TCC25120-2	TCC50120-2 SR	TCC50120-2	TCC75120-2	TCC100120-2
240	24	TCC2524-3 SR	TCC2524-3	TCC5024-3 SR	TCC5024-3	TCC7524-3	TCC10024-3
	120	TCC25120-3 SR	TCC25120-3	TCC50120-3 SR	TCC50120-3	TCC75120-3	TCC100120-3
277	24	TCC2524-4 SR	TCC2524-4	TCC5024-4 SR	TCC5024-4	TCC7524-4	TCC10024-4
	120	TCC25120-4 SR	TCC25120-4	TCC50120-4 SR	TCC50120-4	TCC75120-4	TCC100120-4
347	24	TCC2524-5 SR	TCC2524-5	TCC5024-5 SR	TCC5024-5	TCC7524-5	TCC10024-5
	120	TCC25120-5 SR	TCC25120-5	TCC50120-5 SR	TCC50120-5	TCC75120-5	TCC100120-5
	240	TCC25240-5 SR	TCC25240-5	TCC50240-5 SR	TCC50240-5	TCC75240-5	TCC100240-5
416	24	TCC2524-6 SR	TCC2524-6	TCC5024-6 SR	TCC5024-6	TCC7524-6	TCC10024-6
	120	TCC25120-6 SR	TCC25120-6	TCC50120-6 SR	TCC50120-6	TCC75120-6	TCC100120-6
	240	TCC25240-6 SR	TCC25240-6	TCC50240-6 SR	TCC50240-6	TCC75240-6	TCC100240-6
480	24	TCC2524-7 SR	TCC2524-7	TCC5024-7 SR	TCC5024-7	TCC7524-7	TCC10024-7
	120	TCC25120-7 SR	TCC25120-7	TCC50120-7 SR	TCC50120-7	TCC75120-7	TCC100120-7
	240	TCC25240-7 SR	TCC25240-7	TCC50240-7 SR	TCC50240-7	TCC75240-7	TCC100240-7
600	24	TCC2524-9 SR	TCC2524-9	TCC5024-9 SR	TCC5024-9	TCC7524-9	TCC10024-9
	120	TCC25120-9 SR	TCC25120-9	TCC50120-9 SR	TCC50120-9	TCC75120-9	TCC100120-9
	240	TCC25240-9 SR	TCC25240-9	TCC50240-9 SR	TCC50240-9	TCC75240-9	TCC100240-9



Size	Dimensions (inches)			
	A	B	C	D
25 (SR)	3.25	2.00	2.00	2.81
25	3.69	2.13	2.25	3.13
50 (SR)	3.69	2.30	2.25	3.13
50	4.00	2.50	2.56	3.56
75	4.00	2.75	2.56	3.56
100	4.00	2.75	2.56	3.56



Optional 1/2" KO mounting substitute "TCK" for "TCC"