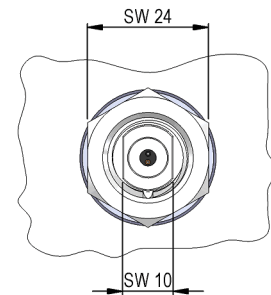
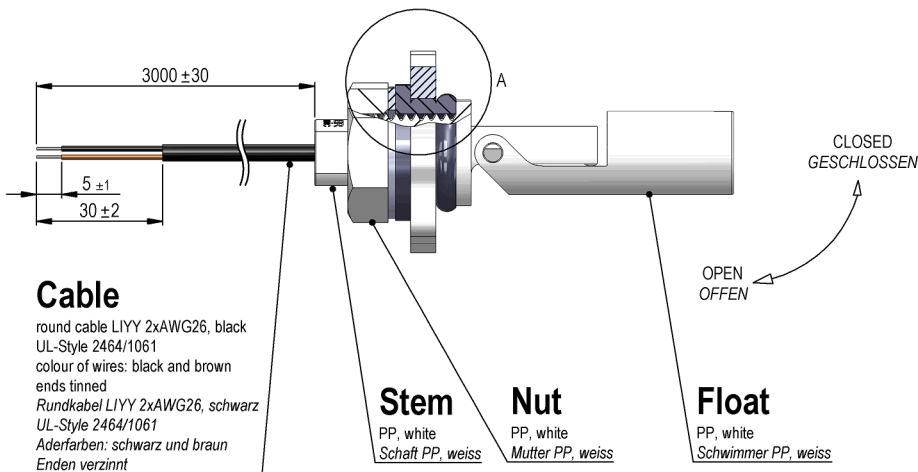
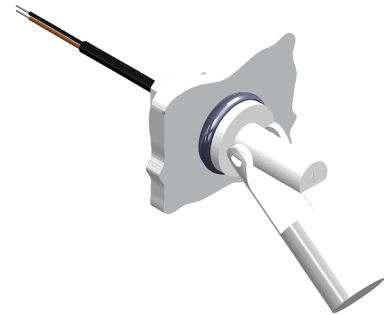
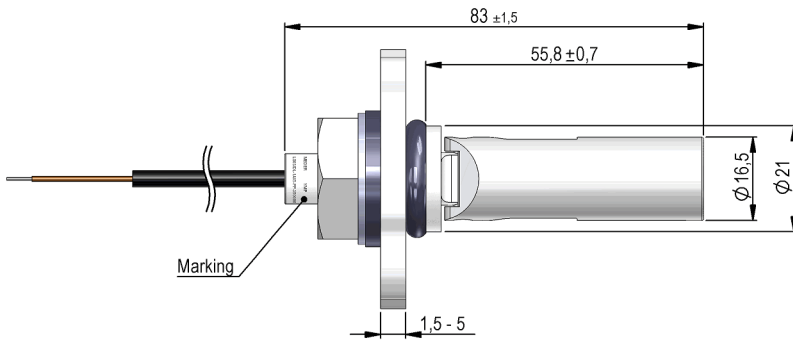


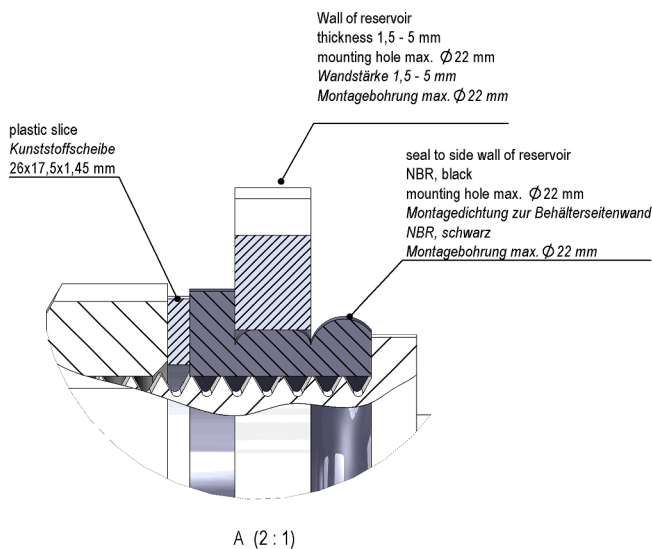
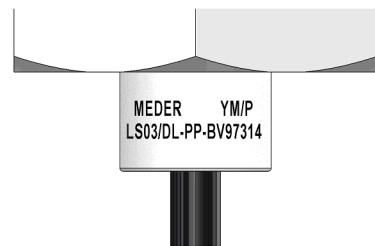
**Preliminary Datasheet**

**Dimensions mm[inch]**  
tolerances acc. to DIN ISO 2768-m  
Toleranzen gem. DIN ISO 2768-m

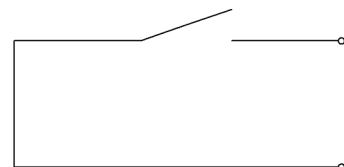
**Isometric**  
Scale 1:2  
Maßstab 1:2



**Marking**  
according to EN60062/factory code  
gem. EN60062/Fertigungsstätte



**Schematic**





Europe: +49 / 7731 8399 0 | Email: info@standexmeder.com  
 USA: +1 / 508 295 0771 | Email: salesusa@standexmeder.com  
 Asia: +852 / 2955 1682 | Email: salesasia@standexmeder.com

Item No.:  
**9534197314**  
 Item:  
**LS03/DL-PP-BV97314**  
**3000W**

### Preliminary Datasheet

Special Product Data	Conditions	Min	Typ	Max	Unit
Contact rating	Any DC combination of V & A not to exceed their individual max.'s			10	W
Switching voltage	DC or Peak AC			180	V
Carry current	DC or Peak AC			1,25	A
Switching current	DC or Peak AC			0,5	A
Sensor-resistance	measured with 40% overdrive Sensor deactivated			1.000	mOhm
Housing material		PP			
Case colour		white			
Sealing compound		Polyurethan			

Environmental data	Conditions	Min	Typ	Max	Unit
Operating temperature	cable not moved	-30		80	°C
Operating temperature	cable moved	-5		80	°C
Storage temperature		-30		80	°C
Safety class	DIN EN 60529	IP68			

Cable specification	Conditions	Min	Typ	Max	Unit
Cable type		round cable, UL-Style 2464			
Cable material		PVC			
Cross section		AWG 26			

General data	Conditions	Min	Typ	Max	Unit
Mounting advice		over 5m cable, a resistor is recommended.			
Tightening torque				1	Nm

Modifications in the sense of technical progress are reserved

Designed at: 20.08.09    Designed by: WKOVACS  
 Last Change at: 11.09.17    Last Change by: WKOVACS

Approval at: 20.08.09    Approval by: DKUECHLER  
 Approval at:                    Approval by:

Version: 06