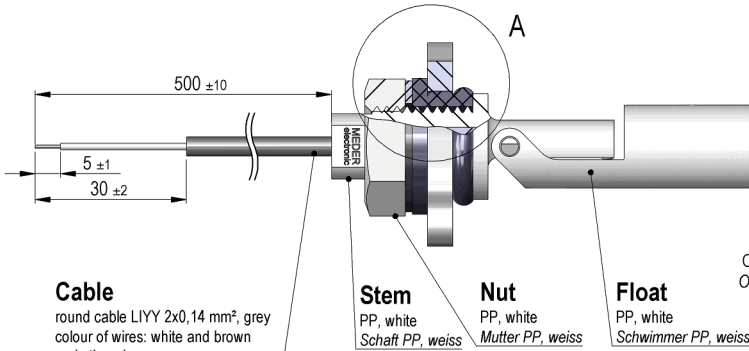
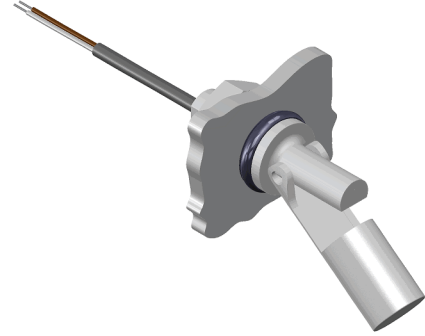
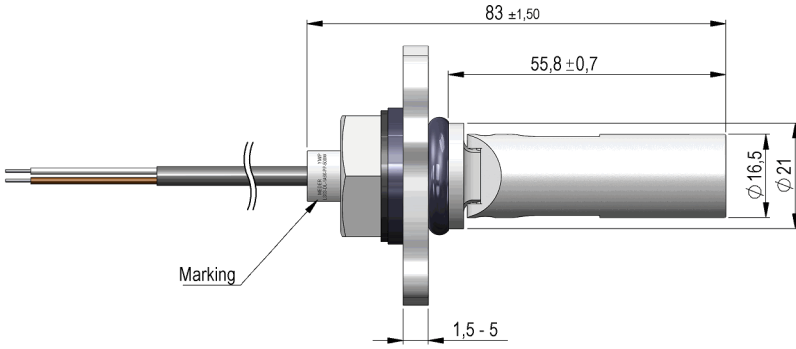


Dimensions mm[inch]
tolerances acc. to DIN ISO 2768-m
Toleranzen gem. DIN ISO 2768-m

Isometric
Scale 1:2
Maßstab 1:2



Cable
round cable LIYY 2x0,14 mm², grey
colour of wires: white and brown
ends tinned
Rundkabel LIYY 2x0,14 mm², grau
Aderfarben: weiss und braun
Enden verzinkt

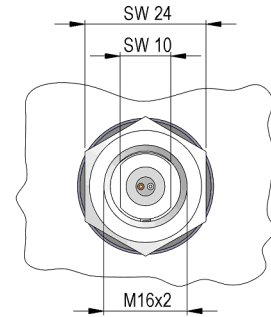
Stem
PP, white
Schaft PP, weiss

Nut
PP, white
Mutter PP, weiss

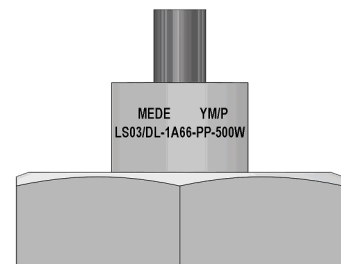
Float
PP, white
Schwimmer PP, weiss

CLOSED
GESCHLOSSEN

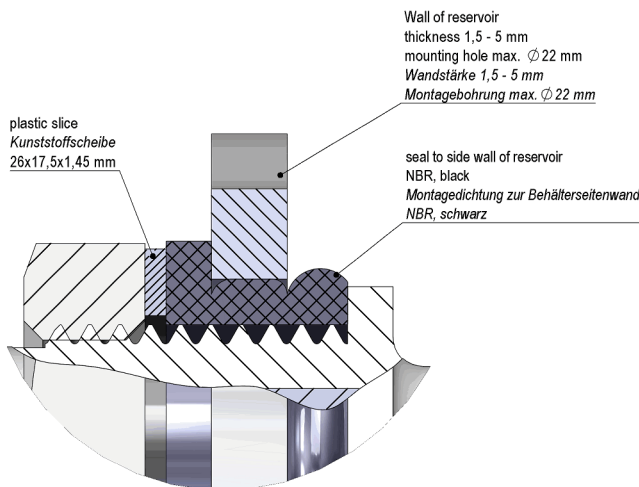
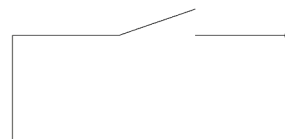
OPEN
OFFEN



Marking
according to EN60062/factory code
gem. EN60062/Fertigungsstätte



Schematic



DETAILA (2 : 1)

Modifications in the sense of technical progress are reserved

Designed at: 20.07.09 Designed by: WKOVACS
Last Change at: 13.09.17 Last Change by: WKOVACS

Approval at: 21.07.09 Approval by: DKUECHLER
Approval at: 02.11.17 Approval by: DKUECHLER

Rev. No.: 05



Europe: +49 / 7731 8399 0

| Email: info@standexmeder.com

USA: +1 / 508 295 0771

| Email: salesusa@standexmeder.com

Asia: +852 / 2955 1682

| Email: salesasia@standexmeder.com

Item No.:

9534197154

Item:

LS03/DL-1A66-PP-500W

LS03/DL-PP-BV97154

Special Product Data	Conditions	Min	Typ	Max	Unit
Contact rating	Any DC combination of V & A not to exceed their individual max.'s			10	W
Switching voltage	DC or Peak AC			180	V
Carry current	DC or Peak AC			1,25	A
Switching current	DC or Peak AC			0,5	A
Sensor-resistance	measured with 40% overdrive Sensor deactivated			290	mOhm
Housing material			PP		
Case colour			white		
Sealing compound			Polyurethan		

Environmental data	Conditions	Min	Typ	Max	Unit
Operating temperature	cable not moved	-30		80	°C
Operating temperature	cable moved	-5		80	°C
Storage temperature		-30		80	°C
Safety class	DIN EN 60529		IP68		

Cable specification	Conditions	Min	Typ	Max	Unit
Cable type			round cable		
Cable material			PVC		
Cross section			0,14 sq-mm		

General data	Conditions	Min	Typ	Max	Unit
Mounting advice			over 5m cable, a resistor is	recommended.	

Modifications in the sense of technical progress are reserved

Designed at: 20.07.09 Designed by: WKOVACS

Approval at: 21.07.09 Approval by: DKUECHLER

Last Change at: 13.09.17 Last Change by: WKOVACS

Approval at: 02.11.17 Approval by: DKUECHLER

Rev. No.: 05