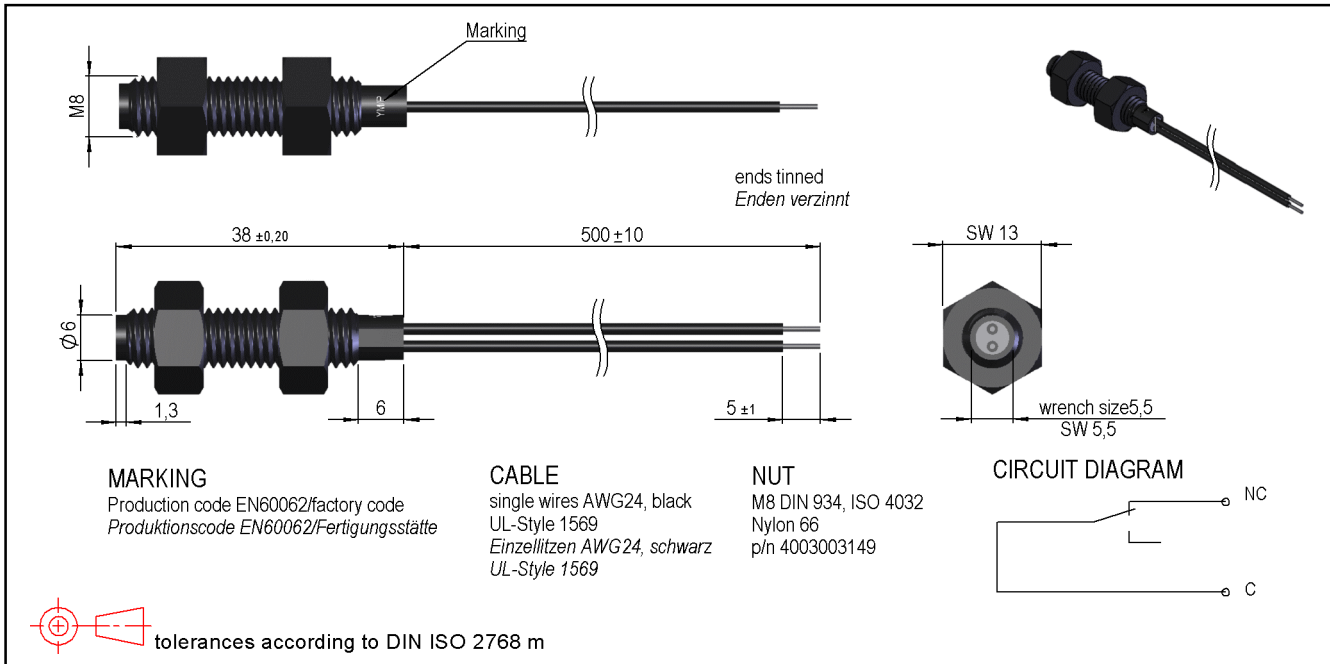


Products for tomorrow...



Magnetic properties	Conditions	Min	Typ	Max	Unit
Pull in	at 20 °C	88		98	AT
Test equipment		KMS-18 + PH 014			

Special Product Data	Conditions	Min	Typ	Max	Unit
Contact - form		B/C - NC			
Contact rating	Any DC combination of V & A not to exceed their individual max.'s			10	W
operating voltage	DC or Peak AC			175	V
operating ampere	DC or Peak AC			1	A
Switching current	DC or Peak AC			0,5	A
Sensor-resistance	measured with 40% overdrive Sensor deactivated			250	mOhm
Housing material		Crastin, SK 645FR, rated 94V-0, 140 °C, E. I. Dupont			
Case color		black			
Sealing compound		Voltatex CE 12 FW-UL			

Environmental data	Conditions	Min	Typ	Max	Unit
Operating temperature	cable not moved	-30		80	°C
Operating temperature	cable moved	-5		80	°C
Storage temperature		-30		80	°C

Cable specification	Conditions	Min	Typ	Max	Unit
Cable typ		single wires			
Cable material		PVC			
Cross section		AWG 24			

General data	Conditions	Min	Typ	Max	Unit
Mounting advice		over 5m cable, a series resistor is recommended.			
Tightening torque				1	Nm