



# Application Alley

PARTNER | SOLVE | DELIVER

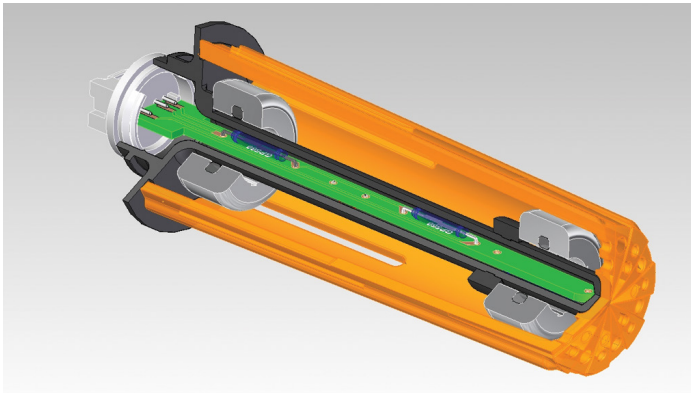
## Flood Prevention Switch - Appliances / R12580, R12581

“Dynamic Appliances”

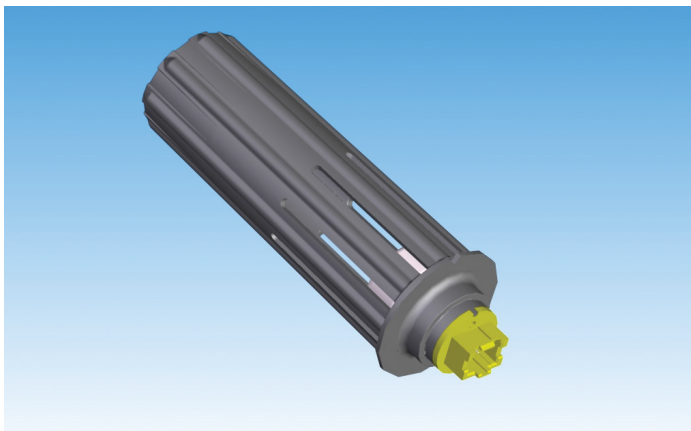


Custom  
Engineered  
Solutions for  
Tomorrow

Our customer was developing a new generation dishwasher that required updated technology to function effectively. This appliance demanded a flood prevention switch design that supported their goal to eliminate leak points in conjunction with providing increased energy efficiency.



In order to achieve these goals, this dishwashing machine needed feedback from the sump drain about water flow and temperature in order to recycle and re-heat the water. The Standex-Meder team strategically partnered with the customer for more than two years to develop the product, lead testing and measurement, verify data, and produce a reliable high-performing part that allowed for such expectations to be met.



The result was a multi-functional flood and flow rate switch that combined the functions of flow and temperature sensing for flood prevention

conditions. We delivered a cutting-edge design to a new line of appliances to fuel growth, productivity, and functionality for our customer and end-user. A unique custom molded package that allowed for ease of assembly in our customer's lean manufacturing cells was also achieved.

Features:

- Easy to install and service
- Plug-N-Play
- Simple switch access
- Automatic switch reset
- One spliced connection

Applications:

- Flow, pressure, and level sensing
- Flood prevention conditions
- Commercial or residential usage

Executive  
Standex-Meder Customer

“ Our company needed a high quality flood and flow rate switch for our new generation dishwasher line. The specifications and requirements were very stringent. The Standex-Meder team took genuine interest in our project, solved various problems through innovative ideas and design, led the testing and measurement, and delivered a custom solution that exceeded our expectations. ”

Give Standex-Meder a [hello@standexmeder.com](mailto:hello@standexmeder.com) to discover how we can solve problems and deliver for you!

## About Standex-Meder Electronics

Standex-Meder Electronics is a worldwide market leader in the design, development and manufacture of standard and custom electro-magnetic components, including magnetics products and reed switch-based solutions.

Our magnetic offerings include planar, Rogowski, current, and low- and high-frequency transformers and inductors. Our reed switch-based solutions include Meder, Standex and OKI brand reed switches, as well as a complete portfolio of reed relays, and a comprehensive array of fluid level, proximity, motion, water flow, HVAC condensate, hydraulic pressure differential, capacitive, conductive and inductive sensors.

We offer engineered product solutions for a broad spectrum of product applications in the automotive, medical, test and measurement, military and aerospace, as well as appliance and general industrial markets.

Standex-Meder Electronics has a commitment to absolute customer satisfaction and customer-driven innovation, with a global organization that offers sales support, engineering capabilities, and technical resources worldwide.

Headquartered in Cincinnati, Ohio, USA, Standex-Meder Electronics has eight manufacturing facilities in six countries, located in the United States, Germany, China, Mexico, the United Kingdom, and Canada.

For more information on Standex-Meder Electronics, please visit us on the web at [www.standexmeder.com](http://www.standexmeder.com).

### Contact Information:

Standex-Meder Electronics  
World Headquarters  
4538 Camberwell Road  
Cincinnati, OH 45209 USA

**Standex Americas (OH)**  
+1.866.STANDEX (+1.866.782.6339)  
[info@standexelectronics.com](mailto:info@standexelectronics.com)

**Meder Americas (MA)**  
+1.800.870.5385  
[salesusa@standexmeder.com](mailto:salesusa@standexmeder.com)

**Standex-Meder Asia (Shanghai)**  
+86.21.37820625  
[salesasia@standexmeder.com](mailto:salesasia@standexmeder.com)

**Standex-Meder Europe (Germany)**  
+49.7731.8399.0  
[info@standexmeder.com](mailto:info@standexmeder.com)