

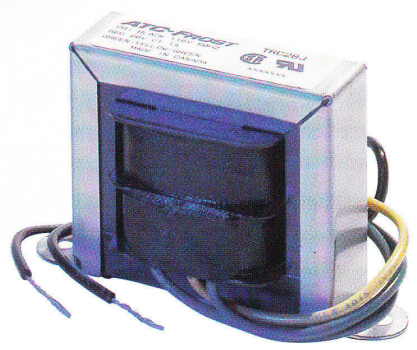
TRC Series

Channel Mounting - Open Style

Low Voltage Rectifier Transformers

Features:

- New size reduced models (SR).
- Original sized models still available.
- Many new ratings are indicated (*).
- Class B-130°C Insulation system used.
- Conservative Class A operation.
- Split/Dual bobbin construction.
- Economical channel frame mounting.
- All secondaries are centre-tapped.
- CSA certified LR16597, UL recognized E105782.

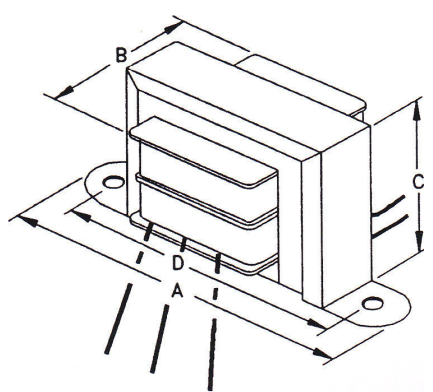


115 Volt 60Hz Primary  

Cat. No.	Full Load Secondary	Size
*TRC 2F	2.5VCT @ 0.25A	C3
TRC 2G	2.5VCT @ 0.5A	C3
TRC 2J (SR)	2.5VCT @ 1.0A	C4
TRC 2K	2.5VCT @ 1.5A	C5
TRC 2L	2.5VCT @ 2.5A	C7
*TRC 2Q	2.5VCT @ 6.0A	C9
TRC 5F	5VCT @ 0.25A	C3
TRC 5G	5VCT @ 0.5A	C5
TRC 5J	5VCT @ 1.0A	C5
TRC 5L (SR)	5VCT @ 2.0A	C8
TRC 5R (SR)	5VCT @ 8.0A	C12
*TRC 5S	5VCT @ 10.0A	C13
*TRC 5U	5VCT @ 15.0A	C14
*TRC 5V	5VCT @ 20.0A	C16
TRC 6E	6.3VCT @ 0.15A	C3
TRC 6F (SR)	6.3VCT @ 0.3A	C4
TRC 6G	6.3VCT @ 0.6A	C5
TRC 6J	6.3VCT @ 1.0A	C7
TRC 6K (SR)	6.3VCT @ 1.2A	C7
TRC 6L (SR)	6.3VCT @ 2.0A	C8
TRC 6N (SR)	6.3VCT @ 4.0A	C10
*TRC 6Q	6.3VCT @ 6.0A	C12
*TRC 6S	6.3VCT @ 10.0A	C14
TRC 7G	7VCT @ 0.7A	C5
*TRC 7U	7.5VCT @ 15.0A	C16
TRC 8G	8VCT @ 0.5A	C5
TRC 8J	8.5VCT @ 1.0A	C7
TRC 8L	8.5VCT @ 2.0A	C9
TRC 8M (SR)	8.5VCT @ 3.0A	C10
TRC 8N (SR)	8.5VCT @ 4.0A	C11
TRC 9G	9 VCT @ 0.5A	C5
TRC 10F (SR)	10VCT @ 0.3A	C4
TRC 10G (SR)	10VCT @ 0.5A	C6
TRC 10J (SR)	10VCT @ 1.0A	C8
TRC 10L (SR)	10VCT @ 2.0A	C10
TRC 10M (SR)	10VCT @ 3.0A	C11
*TRC 10N	10VCT @ 4.0A	C12
*TRC 10P	10VCT @ 5.0A	C13
*TRC 10R	10VCT @ 8.0A	C15
*TRC 10S	10VCT @ 10.0A	C16
*TRC 11P	11VCT @ 5.0A	C13
*TRC 11S	11VCT @ 10.0A	C16
*TRC 12E	12VCT @ 0.15A	C4
TRC 12F	12.6VCT @ 0.3A	C5
TRC 12G	12.6VCT @ 0.5A	C7
TRC 12J (SR)	12.6VCT @ 1.0A	C8
TRC 12K	12.6VCT @ 1.2A	C9
TRC 12L (SR)	12.6VCT @ 2.5A	C11
TRC 12N (SR)	12.6VCT @ 4.0A	C13
*TRC 12Q	12.6VCT @ 6.0A	C14
*TRC 12R	12.6VCT @ 8.0A	C16

Cat. No.	Full Load Secondary	Size
TRC 14E	14VCT @ 0.15A	C4
TRC 14G	14VCT @ 0.5A	C7
*TRC 14J (SR)	14VCT @ 1.0A	C8
TRC 14L (SR)	14VCT @ 2.0A	C11
*TRC 14Q	14VCT @ 6.0A	C15
TRC 16F	16VCT @ 0.25A	C5
TRC 16G	16VCT @ 0.5A	C7
TRC 16J	16VCT @ 1.0A	C9
TRC 16L (SR)	16VCT @ 2.2A	C11
TRC 16M (SR)	16VCT @ 3.0A	C13
TRC 18K (SR)	18VCT @ 1.5A	C10
*TRC 18M	18VCT @ 3.0A	C13
*TRC 18P	18VCT @ 5.0A	C15
TRC 20D	20VCT @ 0.1A	C4
TRC 20E (SR)	20VCT @ 0.15A	C4
TRC 20F (SR)	20VCT @ 0.3A	C6
TRC 20G (SR)	20VCT @ 0.5A	C8
TRC 20J (SR)	20VCT @ 1.0A	C10
TRC 20L (SR)	20VCT @ 2.0A	C12
*TRC 24C	24VCT @ 0.085A	C4
*TRC 24L	24VCT @ 2.0A	C13
*TRC 24N	24VCT @ 4.0A	C16
TRC 25D (SR)	25VCT @ 0.1A	C4
TRC 25E	25VCT @ 0.15A	C5
TRC 25F	25VCT @ 0.3A	C7
TRC 25G (SR)	25VCT @ 0.5A	C8
TRC 25J (SR)	25VCT @ 1.0A	C10
TRC 25K (SR)	25VCT @ 1.5A	C12
*TRC 25L	25VCT @ 2.0A	C13
TRC 25M	25VCT @ 3.0A	C14
TRC 28F	28VCT @ 0.25A	C7
TRC 28G (SR)	28VCT @ 0.5A	C8
TRC 28J (SR)	28VCT @ 1.0A	C11
*TRC 28L	28VCT @ 2.0A	C13
TRC 30E	30VCT @ 0.15A	C5
TRC 30F	30VCT @ 0.25A	C7
TRC 30G	30VCT @ 0.5A	C9
TRC 33J (SR)	33VCT @ 1.0A	C11
*TRC 35K	35VCT @ 1.5A	C13
TRC 36E (SR)	36VCT @ 0.15A	C6
TRC 36F (SR)	36VCT @ 0.3A	C8
TRC 36G	36VCT @ 0.5A	C9
TRC 36J (SR)	36VCT @ 1.0A	C13
*TRC 42L	42VCT @ 2.0A	C15
TRC 44E	44VCT @ 0.15A	C7
TRC 44F (SR)	44VCT @ 0.25A	C8
TRC 44G (SR)	44VCT @ 0.5A	C10
TRC 44J (SR)	44VCT @ 1.0A	C12

Cat. No.	Full Load Secondary	Size
TRC 50C	50VCT @ 0.075A	C5
TRC 50F	50VCT @ 0.3A	C9
TRC 50G (SR)	50VCT @ 0.5A	C10
TRC 50J (SR)	50VCT @ 1.0A	C13
*TRC 50L	50VCT @ 2.0A	C16
TRC 60G (SR)	60VCT @ 0.5A	C11
TRC 80G (SR)	80VCT @ 0.5A	C12
TRC 100G (SR)	100VCT @ 0.5A	C13
TRC 120F (SR)	120VCT @ 0.3A	C12



Mtg. Style	Dimensions (inches)			
	A	B	C	D
C3	2.06	1.25	1.19	1.75
C4	2.06	1.38	1.19	1.75
C5	2.38	1.38	1.38	2.00
C6	2.38	1.50	1.38	2.00
C7	2.81	1.50	1.69	2.38
C8	2.81	1.75	1.69	2.38
C9	3.25	1.75	2.00	2.81
C10	3.25	1.88	2.00	2.81
C11	3.25	2.00	2.00	2.81
C12	3.69	2.13	2.31	3.13
C13	3.69	2.25	2.31	3.13
C14	4.00	2.25	2.63	3.56
C15	4.00	2.50	2.63	3.56
C16	4.50	2.50	2.88	4.00

*New models
(SR) New size reduced dimensions